


Alterations to design and dimensions reserved!
Drawing can include options!

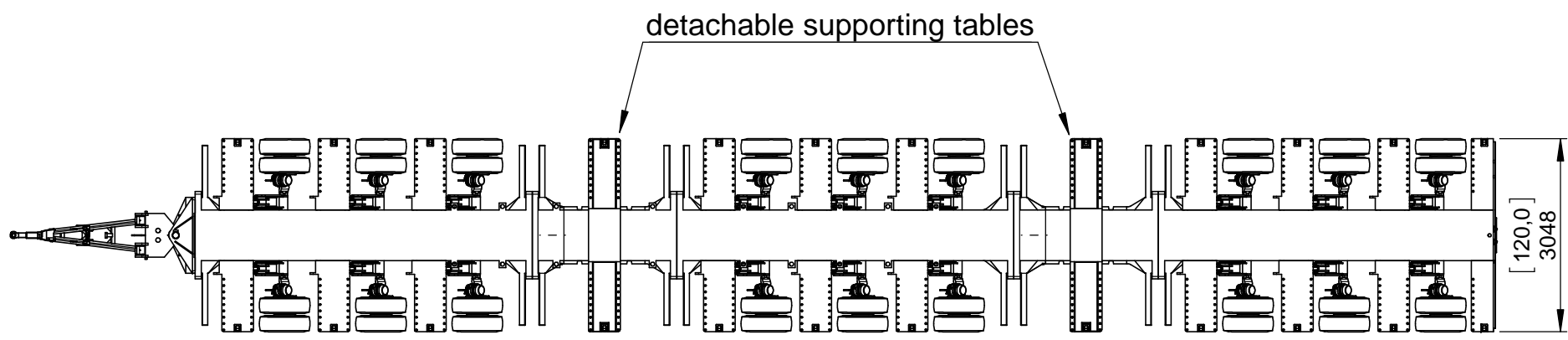
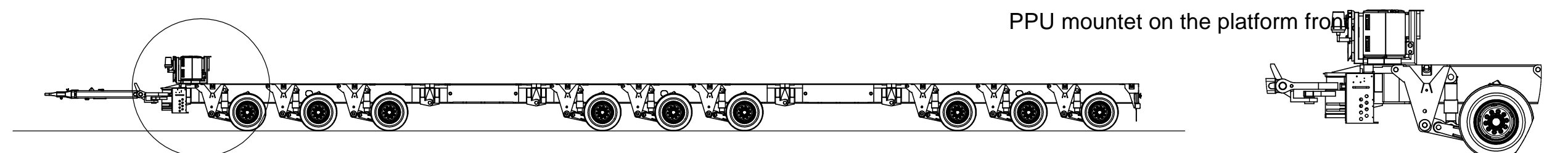
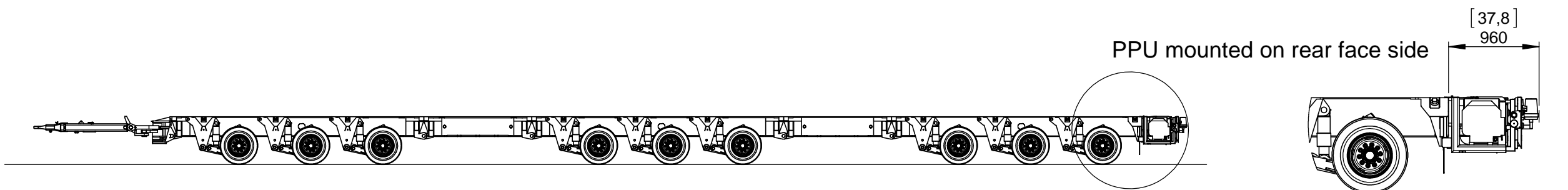
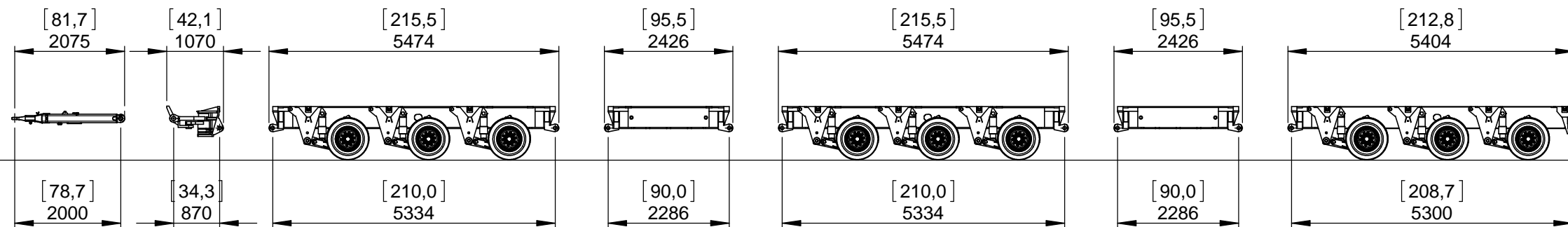
This drawing remains the property of Scheuerle. It is entrusted to the receiver for the specified use only. It may not be reproduced nor made accessible to third persons without written permission.
SCHUEERLE-FAHRZEUGFABRIK GMBH

Copyright: DIN 34 / ISO 16016

scale	1:100		 FAHRZEUGFABRIK GmbH Postfach 20 D-74627 Pfedelbach
date	15.01.2016		
name	Gebert		
desig.	15.01.2016		
inspe.	20.01.2016		64205592-P

Trailer combination 9 axle Highway Trailer MES 10.0		
version	sh. 1	
0	2 sh.	

source:



Alterations to design and dimensions reserved!
Drawing can include options!

This drawing remains the property of Scheuerle. It is entrusted to the receiver for the specified use only. It may not be reproduced nor made accessible to third persons without written permission.
SCHEUERLE-FAHRZEUGFABRIK GMBH

Copyright: DIN 34 / ISO 16016

scale	1:100	
	date	name
desig.	15.01.2016	Gebert
inspe.	20.01.2016	Kern
source:		

SCHEUERLE
FAHRZEUGFABRIK GmbH
Postfach 20
D-74627 Pfedelbach

Trailer combination 9 axle Highway Trailer MES 10.0		
64205592-P	version 0	sh. 2 2 sh.